



External Passive Infrared Detector IS382



- 40m volumetric medium range curtain
- ATD adaptive threshold discrimination for low nuisance alarm rate
- Comprehensive protection concept against all extraneous influences
- True temperature compensation and heating
- Continuous function surveillance
- Detection of intruders at crawling, walking and running speeds

Description

■ Versatile in application

The IS382 volumetric detector is designed to monitor the inside of a perimeter.

The IS382 is suitable for the harshest of outdoor environments. The integral mounting bracket allows for alignment of the detector in any position. The internal switches allow for a quick and simple setup, while the configuration software allows for more complex configurations. This version of an external passive infrared detector, incorporate a pyroelectric differential, single channel optic for determining the detection. A selection of installation and commissioning accessories are available to assist with the final configuration and ongoing maintenance of the detector.

■ Effective

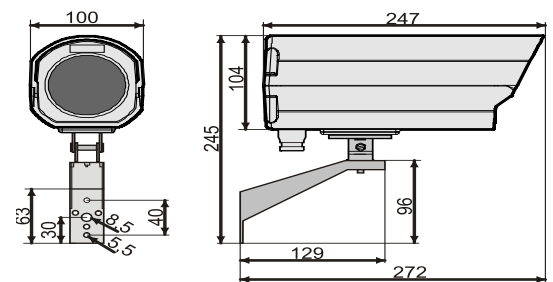
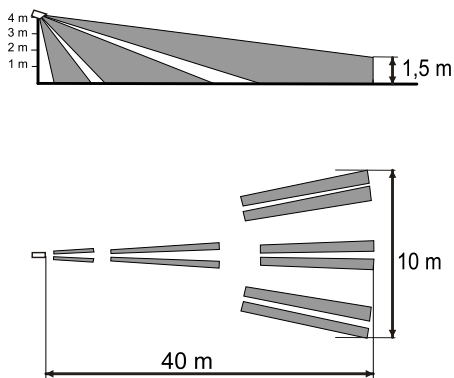
Both types of detectors can be used in standalone manned intrusion systems or as part of a sophisticated video surveillance system. Applications include fenced or restrictcd areas like army camps, detention centre, government facilities, industrial sites and private premises.

■ Highly professional

Uniform high sensitivity is achieved through the special focused mirror optics and the micro-processor-controlled signal analysis. Adaptive alarm threshold decoding for feedback of ambient conditions and true temperature compensation ensure reliable detection. This comprehensive protection concept gives the dtector outstanding immunity against environmental infulences such as temperature fluctuations, rain , snow, electromagnetic fileds and dazzling lights.

■ Coverage areas and dimensions

IS382



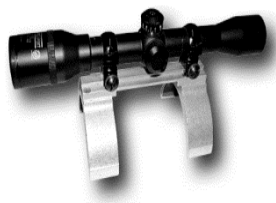
Dimensions (mm)

■ Technical Specifications

IS382	
Detection characteristics / Range	Volumetric medium range 40m (d) x 10m (w)
Sensors	Pyroelectric, differential single channel
ATD Adaptive threshold discrimination	Activated / deactivated
Supply voltage, auto sensing	10.5...30 V DC / 24 V +/-15% AC
Power consumption (at DC 12 V), quiescent	18 mA
Heating	max. 2 W at - 40 °C
Detection speed	0.2...5 s
Alarm hold time	2...3 s
Alarm Indication internal	Red LED
Transistor output	Open collector NPN, 30 V DC, max. 50 mA
Tamper output (cover switch & alignment)	30 V DC / 100 mA
Control input: Walk test; Unset/Set	LOW ≤ 1.5 V DC / HIGH ≥ 3.5 V DC
Mounting height	2.5...4.0 m
Mounting	Wall mounting bracket included, pole bracket optional
Cable Access	2 x 4...7 mm cable glands
Cable termination	Screw terminals via plug-in connector
Sensitivity adjustment (as % of standard)	
- via DIL switches	40 / 70 / 100%
- via software	20...140%
Operating temperature	- 40...+ 60 °C
Storage temperature	- 20...+ 60 °C
Air humidity	< 95 % rH, non-condensing
Housing protection (EN 60529)	IP54
Anti Vandal Function	Activated / deactivated

Options

ISIF485B	A5Q00026219	Installation module and software
ISWT-PRO	S54533-Z112-A100	Cordless installation tester
ISMD41-3	A5Q00026220	Pole mount hardware
ISTC41	BPZ:4455260001	Telescope



ISTC41



ISWT-PRO



ISIF485B

Ordering Information

Type	Art.-No.	Description	Weight
IS382	S54533-F103-A100	External passive infrared volumetric medium range	900 g
ISIF485B	A5Q00026219	Installation software & module	400 g
ISWT-PRO	S54533-Z112-A100	Cordless installation tester	175 g
ISMD41-3	A5Q00026220	Pole mount adapter hardware	160 g
ISCT41	BPZ:4455260001	Telescope	320 g

The information in this document includes general descriptions of the technical possibilities, which need not be installed in each individual case. The desired performance characteristics must therefore be specified for the individual case when the contract is concluded.

© Siemens Building Technologies • Edition: 26.09.2014