



Passive Infrared Detector for ceiling mounting IR261



- Room surveillance with a detection field of 360°
- Protection against overvoltage pulses on supply and signal lines
- Perfect protection against insects and draughts
- High immunity to electric and electromagnetic interference
- Easy and fast installation
- Four levels of coverage adjustment
- Four levels of sensitivity adjustment
- Silent operation

Description

Ceiling-mounted passive infrared detector offers a detection coverage of 360 degrees.

Ideal for covering large size rooms

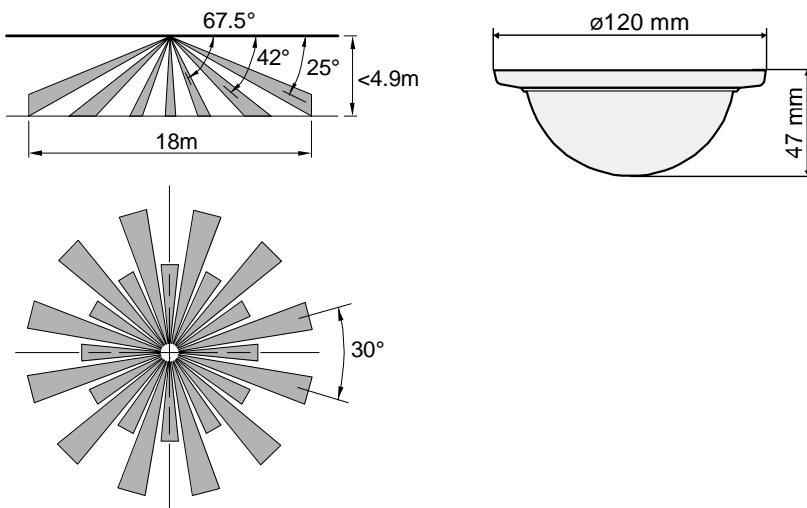
Fast installation, appealing design and reliability of detection in combination with 360° monitoring zones make the IR261 the ideal detector for monitoring large size rooms such as open-plan offices and shop areas with flexible fittings, and also corridor crossings and warehouses.

Save and easy installation

The split detector housing serves to facilitate mounting: the detector base is mounted to a stable surface and is connected via the terminals, then the detector top section with optics and electronics is fitted onto the detector base and pushed until release lever will click. The entire detector can be rotated ± 25 degrees via the detector base. In the detector base, adequate space for wire loops has been provided.

Reliable detection

Fresnel optics with a pyrosensor and 33 curtain-like detection zones provide a reliable detection.



Mounting Height (M)	Coverage Diameter (M)			
	120 %	100 %*	80 %	60 %
2.0	8.4	7.0	5.6	4.2
2.6	10.6	8.8	7.0	5.3
3.0	12.0	10.0	8.0	6.0
4.0	16.8	14.0	11.2	8.4
4.9	18.2	15.2	12.2	9.1

* Default/Factory Setting.

■ Technical Specifications

Supply voltage (nom. 12 V) - Max. ripple (0 ... 100 Hz)	10.5 ... 18 VDC 2 V _{PP}
Current consumption (at 12 VDC) - Quiescent - Maximum when alarm occurs (with LED)	< 25 mA < 35 mA
Alarm output (silent, electronic relay) - Contact rating - Serial resistance - Alarm hold time	max 30 V _{DC} / 250 mA 3.3 Ω ~ 2 s
Adjustments - Alarm LED - Alarm relay - Alarm contact - Coverage - Sensitivity	On / Off Auto – reset / off N/O, N/C 4 levels 60 ... 120% 4 levels (1/2/3/4) triggers before alarm
Indications - Yellow (memory) LED - Red (alarm) LED	Flashing = memory activated / Constant = memory indication Flashing = warm up / Constant = alarm
Ambient conditions - Operating temperature - Storage temperature - Humidity (EN60721) - Housing protection (EN60529) - EMI rejection (< 1 GHz)	-15 ... +55 °C -15 ... +55 °C ≤ 95% RH, non-condensing IP41 10 V/m
Dimensions (Ø x H)	120 x 47 mm

■ Ordering Information

Type	Art.-No.	Description	Weight
IR261	BPZ:5667770001	PIR motion detector for ceiling mounting	130g

The information in this document includes general descriptions of the technical possibilities, which need not be installed in each individual case. The desired performance characteristics must therefore be specified for the individual case when the contract is concluded.

© Siemens Building Technologies • Edition: 08.09.2014

www.buildingtechnologies.siemens.com

Global Security Products from Siemens
Siemens AB
Infrastructure & Cities Sector
Building Technologies Division
Security Products
Englundavägen 7
Box 1275
17124 Solna
Sweden
Tel: +46 8 629 0300
Fax: +46 8 627 0096
www.siemens.com/securityproducts