



## GM760

### Seismic detector

Programmable multi purpose seismic detector for the use in safes, night deposits, ATMs, light weight safes (LWS) and strong rooms.

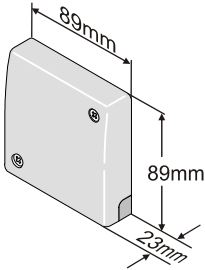
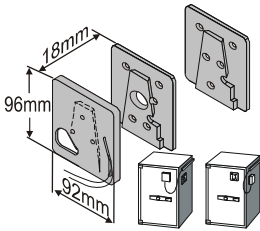

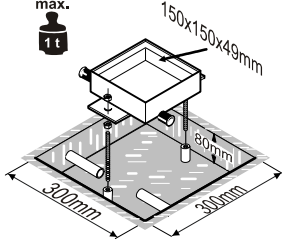
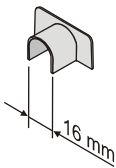
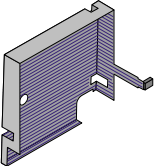
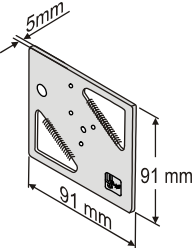
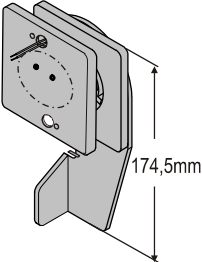
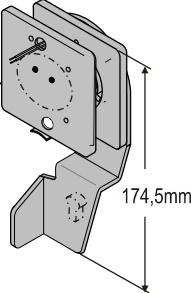
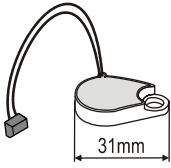
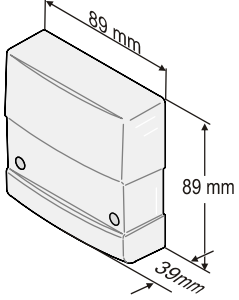
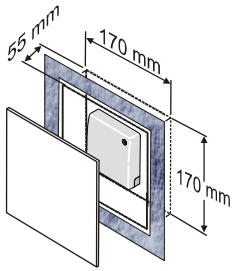
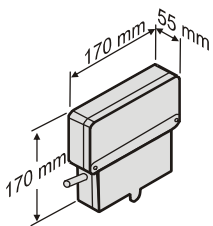
- **Around-the-clock monitoring of strong-room-walls and doors, safes, night deposits, automatic teller machines (ATM), light weight safes (LWS) etc.**
- **5 m operating radius on concrete → 80 m<sup>2</sup> coverage area.**
- **High performance 'SENSTEC™' bimorph sensor and micro-controller-based signal evaluation with highest sensitivity even to oxygen lance attacks on light weight safes.**
- **Highest immunity to false alarms with flexible settings, digital filters and sophisticated algorithms.**
- **Easy adjustable sensitivity according to specific applications (3 fixed DIP switches and 1 individual DIP setting programmable with SensTool software).**
- **Easy, fast and flexible installation (2 screws, test point and test LED).**
- **Smallest, slimmest and most modern design on the market.**
- **Lowest power consumption.**

**Effective.** Reliable recognition of attacks is ensured with explosives or attempted entry using modern tools, such as diamond-tipped drills, mechanical and hydraulic pressure tools, flame cutters, thermal-lancers or water jet on safes, automatic teller machines, night deposits, strong rooms and modular vaults made of steel, concrete and synthetic composites.

**Highly professional.** The patented SENSTEC® sensor and digital signal processing evaluates a selected narrow frequency band to ensure reliable detection. This comprehensive protection is immune to environmental influences including air and structure borne noise from external disturbance sources.

**Versatile in application.** The low-profile design makes it easy to install. Predefined settings allow to be quickly set for all common applications. Optional SensTool software enables modification of default operating parameters and monitoring of current detector performance.

## Accessories and dimensions

<p>GM760</p> 	<p>GMAS6</p> 		<p>GMSW7</p> 	<p>GMXB0</p> 
<p>GMXC2</p> 	<p>GMXD7</p> 	<p>GMXP0</p> 	<p>GMXP3</p> 	<p>GMXP3Z</p> 
<p>GMXS1</p> 	<p>GMXS5</p> 	<p>GMXW0</p> 	<p>GMXWG0H</p> 	

## Ordering data

Type	Art. No.	Designation	Weight
GM760	S54534-F108-A100	Seismic Detector	220 g
GMAS6	BPZ:4886060001	Fixing device	400 g
GMSW7	A5Q00006246	SensTool interface and software	140 g
GMXB0	BPZ:2772020001	Floor box with cover	2085 g
GMXC2	BPZ:5021840001	Pipe connection sleeve 16 mm	10 g
GMXD7	A5Q00006245	Anti-drilling foil (set of 10)	40 g
GMXP0	BPZ:2772730001	Mounting plate	270 g
GMXP3	BPZ:3470190001	Swivel plate	630 g
GMXP3Z	BPZ:5712410001	Z-shaped swivel plate	670 g
GMXS1	BPZ:4202370001	Test transmitter	20 g
GMXS5	BPZ:5627000001	Remote test transmitter	320 g
GMXW0	BPZ:2771210001	Wall recess box	1160 g
GMXWG0H	BPZ:3720260001	Watertight housing	1010 g

## Technical data

Detection characteristics	
– Operating radius/Coverage area on concrete and steel	
– For all types of tools (including thermic tools)	5 m / 80 m <sup>2</sup>
Power supply (nom. 12 Vdc)	V <sub>cc</sub> = 8 to 16 V <sub>DC</sub>
– Voltage monitoring	Alarm if voltage low
Power consumption (8 to 16 Vdc)	I <sub>typ.</sub> = 2,5 to 3,5 mA
– Quiescent / Alarm	I <sub>max.</sub> = 5 mA
Alarm output	
– Relay (opens on alarm)	30 V <sub>DC</sub> / 100 mA / R <sub>i</sub> < 45 Ω
– Alarm hold time	ca. 2,5 s
Sabotage surveillance, Tamper	
– Cover & surface contact	Opens on sabotage
– Contact load	30 V <sub>DC</sub> / 100 mA
Test point output	analogue integration signal
Function test	
– For test	Low ≤ 1,5 V <sub>DC</sub> / High ≥ 3,5 V <sub>DC</sub>
– Test duration until alarm with GMXS1	≤ 3 s
– Test duration until alarm with GMXS5	≤ 90 s
Remote sensitivity reduction input	
– For reduction	Low ≤ 1,5 V <sub>DC</sub> / High ≥ 3,5 V <sub>DC</sub>
– Reduction to	1/8 of the actual setting
Adjustments	
– Dip switch settings	3 fixed DIP settings
– Via SensTool PC Software	1 freely programmable DIP setting
Environmental conditions	
– Operating temperature	- 40 ... + 70°C
– Storage temperature	- 40 ... + 70°C
– Air humidity (EN 60721)	< 95% rh, non-condensing
– Housing protection (EN 60529, EN 50102)	IP43
– Electromagnetic compatibility (EMC)	EN 50130-4 CFR 47, FCC Part 15:2008, (Class A Digital Device)
Approvals	CCC, UL

Siemens Switzerland Ltd.  
International Headquarters  
Fire Safety & Security Products  
Gubelstrasse 22  
CH – 6301 Zug  
Tel. +41 41 724 24 24  
Fax +41 41 724 35 22

[www.siemens.com/buildingtechnologies](http://www.siemens.com/buildingtechnologies)

©Siemens Switzerland Ltd 2003-2009  
Data and design subject to change without notice.  
Supply subject to availability.