



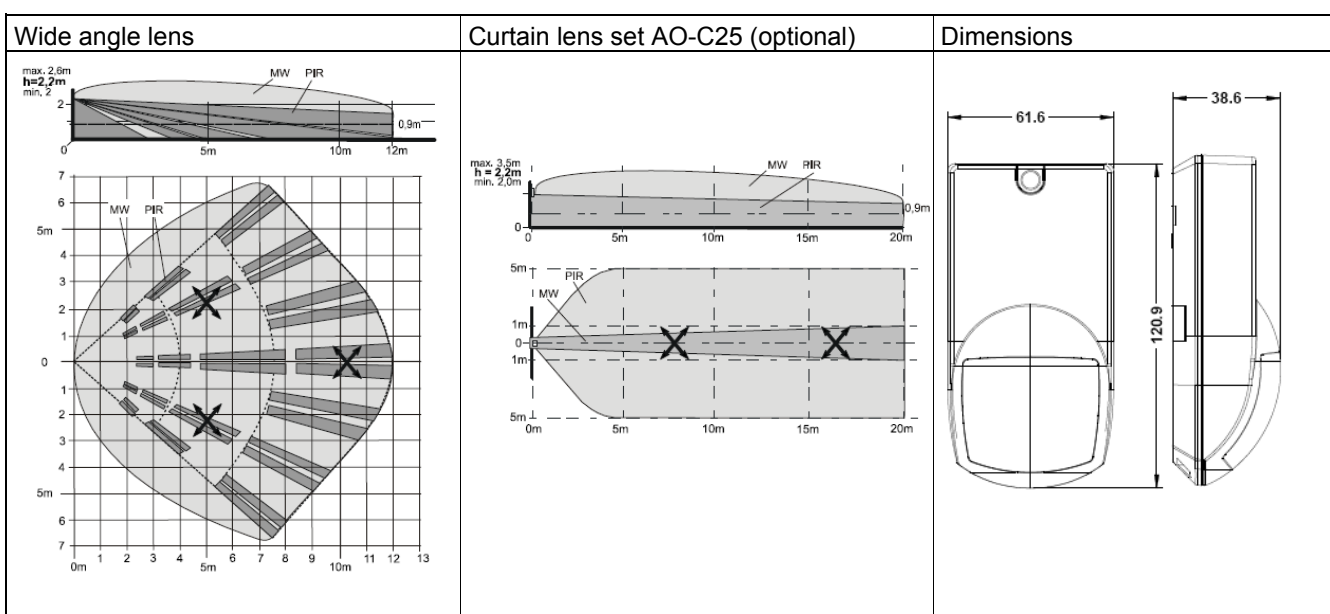
Intrunet™ ADM-QXB12 E-Line dual detector

- **End of Line concept for shortest installation time**
- **Infinitely variable range from 6 to 18 m wide angle, 20 m curtain (optional)**
- **Detection sensitivity for PIR and MW independently adjustable**
- **X-band microwave (9.9 GHz)**
- **Pet immunity up to 12 / 30 kg**
- **Family design for simplest detector exchange**

The shortest installation time. The range of E-Line detectors was designed with the installer in mind. The E-Line is ideally applicable for a wide range of standard installations. It stands for shortest installation time thanks to the End of Line concept plus the well known “snap-in” enclosure. The End of Line concept with pre-configured EOL boards makes detector wiring quicker, simpler and error-free, consistent with most common alarm panels and wiring methods. The time consuming detector wiring and fault handling is history.

The highest installation flexibility. Beside the End of Line concept the E-Line deliver new levels of installation flexibility to adapt the detectors to its environment. All detectors uniquely possess wide range and sensitivity settings – dual detectors enable even independent adjustment of PIR and microwave channel. The E-Line feature two levels of pet immunity with simplest handling for creep zone protection of anti-mask detectors. Even if already installed, all detectors can be easily exchanged thanks to the family design.

Coverage areas and dimensions



Technical data

Supply voltage	9.6 ... 16 VDC (12 V nom.)
– Max. ripple (0 ... 100 Hz)	1,0 VPP
– Voltage monitoring	Alarm at 8,0 ± 0,5 VDC
Max. current consumption (at 8 ... 16 VDC)	30 mA
Microwave (MW)	9.9 GHz
Alarm output	
– Semiconductor relay (opens at alarm)	30 VDC / 80 mA resistive load / Ri 18 Ω
Alarm holding time	2 ... 3 s
Tamper contact	30 VDC / 80 mA resistive load / Ri 10 Ω
Control input	LOW ≤ 1,5 V / HIGH ≥ 3,5 V
Pet immunity	< 12 kg / < 30 kg
Coverage area wide angle / curtain	6-18 m (nom. 12 m) / 20 m
Walking speeds	
– Wide area lens / curtain lens AO-C25	0,1 ... 4,0 m/s / 0,1 ... 4,0 m/s
Security grade	Grade 2
Environmental class	Class II
EN50131-2-2:2008	
Environmental conditions	
– Operating temperature	- 10 to + 50°C
– Storage temperature	- 20 to + 60°C
– Humidity (EN 60721)	< 85% r.h., non condensing
– EMI rejection up to 2GHz	10 V/m
– Housing protection (EN 60529, EN 50102)	IP41 / IK02

Details for ordering

Type	Art. No.	Designation	Weight
ADM-QXB12	S54531-F103-A100	Dual Detector 9.9GHz	0,130 kg
AO-C25	S54539-F102-A100	Curtain lens set (12 pcs)	0,080 kg
AO-WL10k	S54539-F103-A100	Light filter (12 pcs)	0,020 kg
AZ-MBG2	S54539-F105-A100	Mounting Brackets Grade 2	0,020 kg

Siemens Schweiz AG
International Headquarters
Fire Safety & Security Products
Gubelstrasse 22
CH – 6301 Zug
Tel. +41 41 724 24 24
Fax +41 41 724 35 22
www.sbt.siemens.com

© 2009 Copyright by
Building Technologies Group

Data and design subject to change without notice.
Supply subject to availability.