



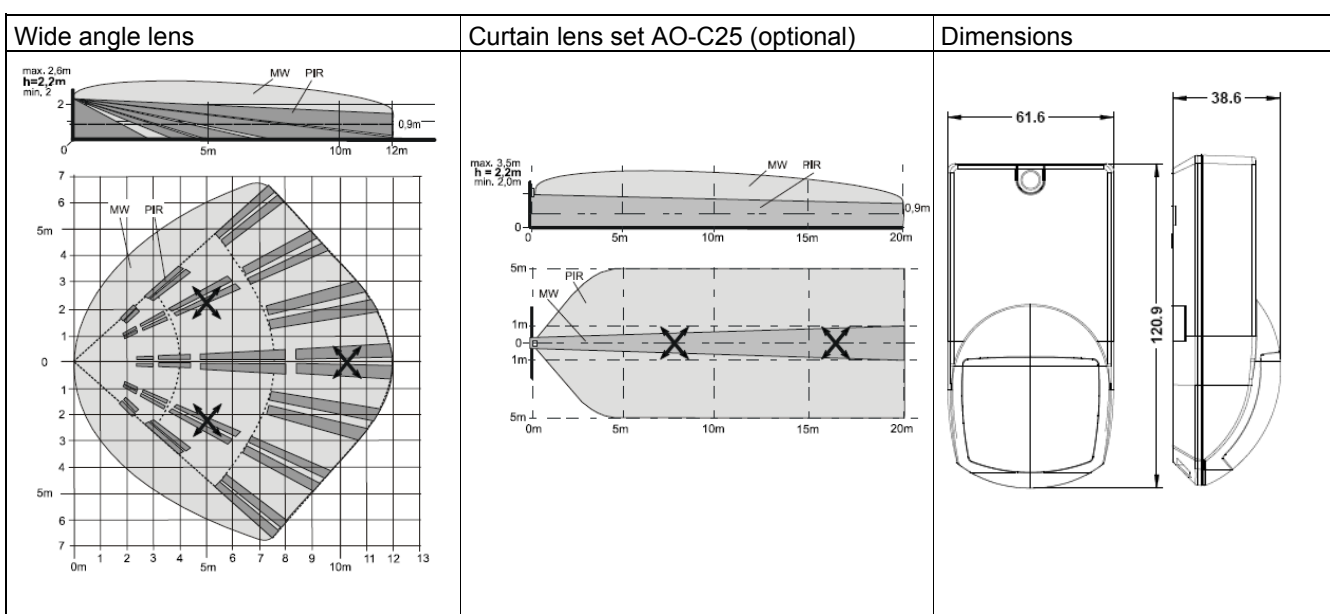
Intrunet™ ADM-QXA12 E-Line dual detector

- End of Line concept for shortest installation time
- Infinitely variable range from 6 to 18 m wide angle, 20 m curtain (optional)
- Detection sensitivity for PIR and MW independently adjustable
- X-band microwave (10.525 GHz)
- Pet immunity up to 12 / 30 kg
- Family design for simplest detector exchange

The shortest installation time. The range of E-Line detectors was designed with the installer in mind. The E-Line is ideally applicable for a wide range of standard installations. It stands for shortest installation time thanks to the End of Line concept plus the well known “snap-in” enclosure. The End of Line concept with pre-configured EOL boards makes detector wiring quicker, simpler and error-free, consistent with most common alarm panels and wiring methods. The time consuming detector wiring and fault handling is history.

The highest installation flexibility. Beside the End of Line concept the E-Line deliver new levels of installation flexibility to adapt the detectors to its environment. All detectors uniquely possess wide range and sensitivity settings – dual detectors enable even independent adjustment of PIR and microwave channel. The E-Line feature two levels of pet immunity with simplest handling for creep zone protection of anti-mask detectors. Even if already installed, all detectors can be easily exchanged thanks to the family design.

Coverage areas and dimensions



Technical data

| | |
|--|---|
| Supply voltage | 9.6 ... 16 VDC (12 V nom.) |
| – Max. ripple (0 ... 100 Hz) | 1,0 VPP |
| – Voltage monitoring | Alarm at 8,0 ± 0,5 VDC |
| Max. current consumption (at 8 ... 16 VDC) | 30 mA |
| Microwave (MW) | 10.525 GHz |
| Alarm output | |
| – Semiconductor relay (opens at alarm) | 30 VDC / 80 mA resistive load / Ri 18 Ω |
| Alarm holding time | 2 ... 3 s |
| Tamper contact | 30 VDC / 80 mA resistive load / Ri 10 Ω |
| Control input | LOW ≤ 1,5 V / HIGH ≥ 3,5 V |
| Pet immunity | < 12 kg / < 30 kg |
| Coverage area wide angle / curtain | 6-18 m (nom. 12 m) / 20 m |
| Walking speeds | |
| – Wide area lens / curtain lens AO-C25 | 0,1 ... 4,0 m/s / 0,1 ... 4,0 m/s |
| Security grade | Grade 2 |
| Environmental class | Class II |
| EN50131-2-2:2008 | |
| Environmental conditions | |
| – Operating temperature | - 10 to + 50°C |
| – Storage temperature | - 20 to + 60°C |
| – Humidity (EN 60721) | < 85% r.h., non condensing |
| – EMI rejection up to 2GHz | 10 V/m |
| – Housing protection (EN 60529, EN 50102) | IP41 / IK02 |

Details for ordering

| Type | Art. No. | Designation | Weight |
|-----------|------------------|---------------------------|----------|
| ADM-QXA12 | S54531-F101-A100 | Dual Detector 10.525GHz | 0,130 kg |
| AO-C25 | S54539-F102-A100 | Curtain lens set (12 pcs) | 0,080 kg |
| AO-WL10k | S54539-F103-A100 | Light filter (12 pcs) | 0,020 kg |
| AZ-MBG2 | S54539-F105-A100 | Mounting Brackets Grade 2 | 0,020 kg |

Siemens Schweiz AG
International Headquarters
Fire Safety & Security Products
Gubelstrasse 22
CH – 6301 Zug
Tel. +41 41 724 24 24
Fax +41 41 724 35 22
www.sbt.siemens.com

© 2009 Copyright by
Building Technologies Group

Data and design subject to change without notice.
Supply subject to availability.