



Intrunet™ ADM-QXA12T

E-Line dual detector

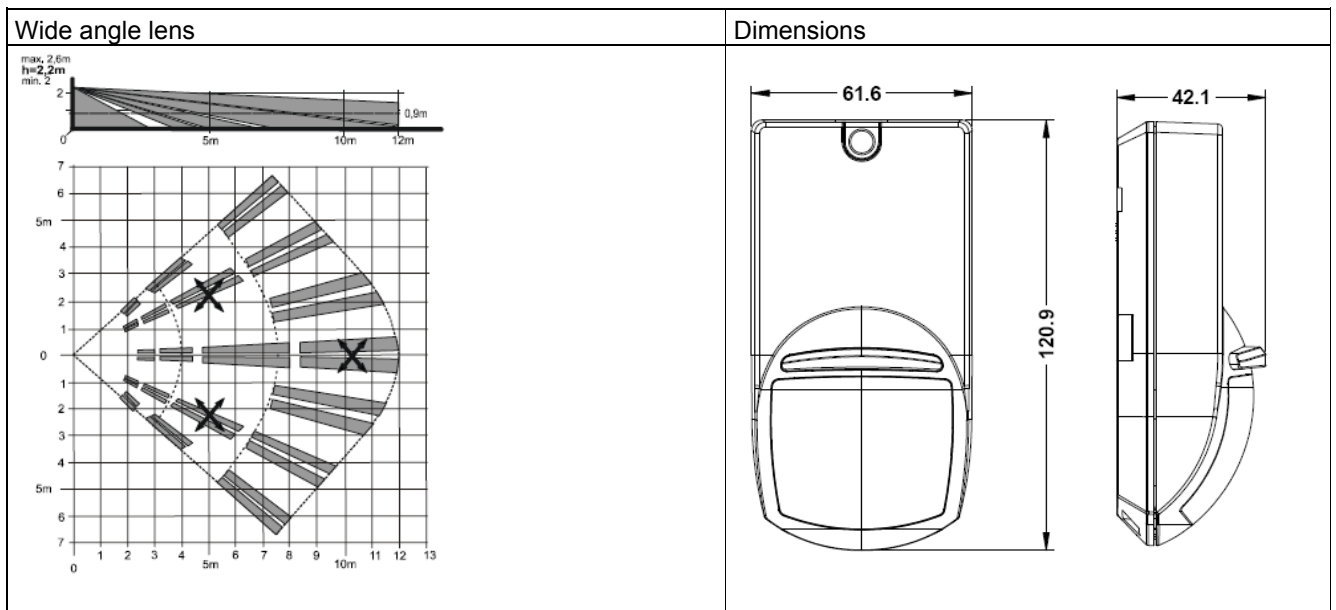
with anti-mask surveillance

- End of Line concept for shortest installation time
- Infinitely variable range from 6 to 18 m wide angle
- Detection sensitivity for PIR and MW independently adjustable
- X-band microwave (10.525 GHz)
- Pet immunity up to 12 / 30 kg
- Family design for simplest detector exchange
- Anti-mask surveillance

The shortest installation time. The range of E-Line detectors was designed with the installer in mind. The E-Line is ideally applicable for a wide range of standard installations. It stands for shortest installation time thanks to the End of Line concept plus the well known “snap-in” enclosure. The End of Line concept with pre-configured EOL boards makes detector wiring quicker, simpler and error-free, consistent with most common alarm panels and wiring methods. The time consuming detector wiring and fault handling is history.

The highest installation flexibility. Beside the End of Line concept the E-Line deliver new levels of installation flexibility to adapt the detectors to its environment. All detectors uniquely possess wide range and sensitivity settings – dual detectors enable even independent adjustment of PIR and microwave channel. The E-Line feature two levels of pet immunity with simplest handling for creep zone protection of anti-mask detectors. Even if already installed, all detectors can be easily exchanged thanks to the family design.

Coverage areas and dimensions



Technical data

Supply voltage	9.6 ... 16 VDC (12 V nom.)
– Max. ripple (0 ... 100 Hz)	1,0 VPP
– Voltage monitoring	Alarm at 8,0 ± 0,5 VDC
Max. current consumption (at 8 ... 16 VDC)	34 mA
Microwave (MW)	10.525 GHz
Alarm output	
– Semiconductor relay (opens at alarm)	30 VDC / 80 mA resistive load / Ri 18 Ω
– Alarm holding time	2 ... 3 s
Fault / anti-mask output	
– Semiconductor relay (opens at alarm)	30 VDC / 80 mA resistive load / Ri 18 Ω
Tamper contact	30 VDC / 80 mA resistive load / Ri 10 Ω
Control input	LOW ≤ 1,5 V / HIGH ≥ 3,5 V
Pet immunity	< 12 kg / < 30 kg
Coverage area wide angle	6-18 m (nom. 12 m)
Walking speeds	
– Wide area lens	0,1 ... 4,0 m/s
Security grade	Grade 3
Environmental class	Class II
EN50131-2-2:2008	
Environmental conditions	
– Operating temperature	- 10 to + 50°C
– Storage temperature	- 20 to + 60°C
– Humidity (EN 60721)	< 85% r.h., non condensing
– EMI rejection up to 2GHz	10 V/m
– Housing protection (EN 60529, EN 50102)	IP41 / IK02

Details for ordering

Type	Art. No.	Designation	Weight
ADM-QXA12T	S54531-F107-A100	Dual AM Detector 10.525GHz	0,130 kg
AO-WL10k	S54539-F103-A100	Light filter (12 pcs)	0,020 kg
AZ-MBG3	S54539-F107-A100	Mounting Brackets Grade 3	0,020 kg

Siemens Schweiz AG
 International Headquarters
 Fire Safety & Security Products
 Gubelstrasse 22
 CH – 6301 Zug
 Tel. +41 41 724 24 24
 Fax +41 41 724 35 22
 www.sbt.siemens.com

© 2009 Copyright by
 Building Technologies Group

Data and design subject to change without notice.
 Supply subject to availability.