



Intrunet™ ADM-I12W1

E-Line passive infrared detector

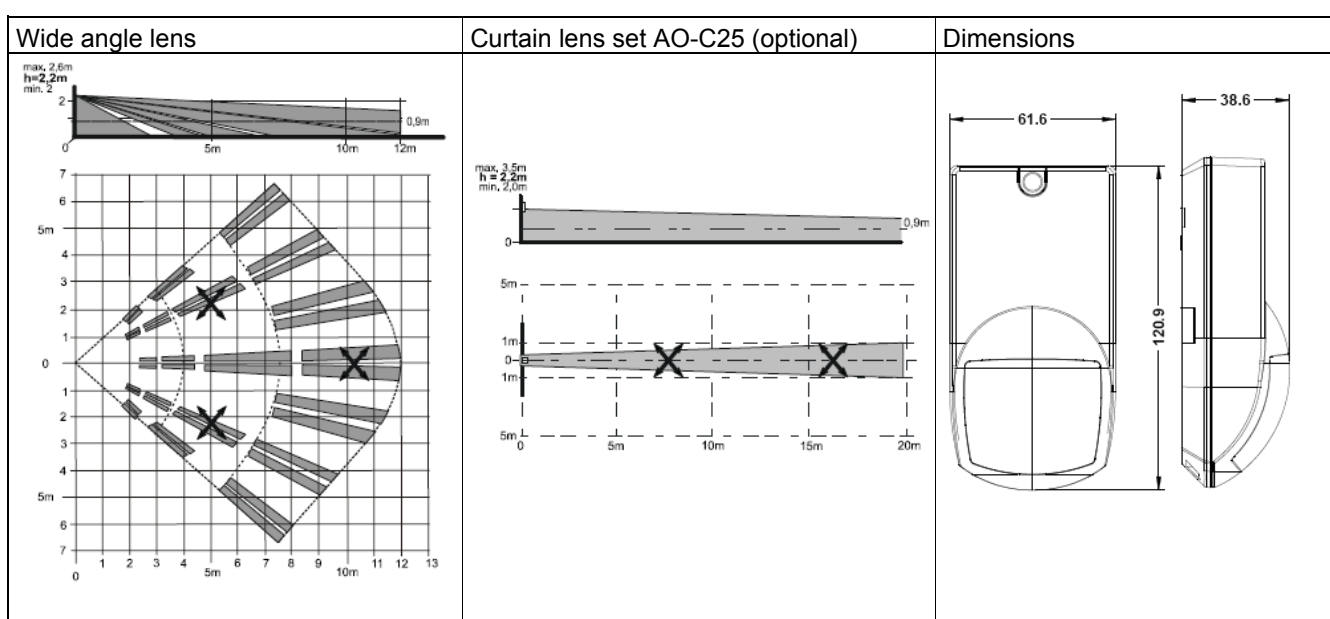
Wireless

- SiWay wireless protocol consistent with Siemens SPC, SI and IC panels (incl. gateways)
- Infinitely variable range from 6 to 18 m wide angle, 20 m curtain (optional)
- Detection sensitivity adjustable
- Pet immunity up to 12 / 30 kg
- Family design for simplest detector exchange

The shortest installation time. The range of E-Line detectors was designed with the installer in mind. The E-Line is ideally applicable for a wide range of standard installations. It stands for shortest installation time thanks to the wireless detector ADM-I12W1 plus the well known “snap-in” enclosure. The robust SiWay protocol facilitates the simplest and fastest installation consistent with the alarm panel types Siemens SPC, SI und IC60 (including its SiWay wireless gateways). The time consuming detector wiring and fault handling is history.

The highest installation flexibility. The E-Line delivers new levels of installation flexibility to adapt the detectors to its environment. All detectors uniquely possess wide range and sensitivity settings – dual detectors enable even independent adjustment of PIR and microwave channel. The E-Line feature two levels of pet immunity with simplest handling for creep zone protection of anti-mask detectors. Even if already installed, all detectors can be easily exchanged thanks to the family design.

Coverage areas and dimensions



Technical data

Battery	Lithium, 3 VDC Type: xx123 Size: 2/3 AA Capacity: 1550 mAh
Wireless Protocol	SiWay
Identification	ID serial number 24 Bit
Range of wireless module	Up to 300 m outdoors
Frequency:	
– ADM-I12W1	868 MHz
– ADM-I12W2	916 MHz
Pet immunity	< 12 kg / < 30 kg
Coverage area wide angle / curtain	6-18 m (nom. 12 m) / 20 m
Walking speeds	
– Wide area lens / curtain lens AO-C25	0,1 ... 4,0 m/s / 0,1 ... 4,0 m/s
Security grade	Grade 2
Environmental class	Class II
EN50131-2-2:2008	
EN50131-5-3:2008	
Environmental conditions	
– Operating temperature	- 10 to + 50°C
– Storage temperature	- 20 to + 60°C
– Humidity (EN 60721)	< 85% r.h., non condensing
– EMI rejection up to 2GHz	10 V/m
– Housing protection (EN 60529, EN 50102)	IP41 / IK02

Details for ordering

Type	Art. No.	Designation	Weight
ADM-I12W1	S54538-F105-A100	PIR Wireless 868MHz Detector	0,130 kg
AO-C25	S54539-F102-A100	Curtain lens set (12 pcs)	0,080 kg
AO-WL10k	S54539-F103-A100	Light filter (12 pcs)	0,020 kg
AZ-MBG2	S54539-F105-A100	Mounting Brackets Grade 2	0,020 kg

Siemens Schweiz AG
International Headquarters
Fire Safety & Security Products
Gubelstrasse 22
CH – 6301 Zug
Tel. +41 41 724 24 24
Fax +41 41 724 35 22
www.sbt.siemens.com

© 2009 Copyright by
Building Technologies Group

Data and design subject to change without notice.
Supply subject to availability.