

Sinteso™/ Cerberus™ PRO

Input module, input/output modules

FDCI222, FDCIO222, FDCIO224



Input module and input/output modules for the automatically addressed detector line FDnet/C-NET

- Input module FDCI222:
 - Four monitored contact inputs for confirming technical statuses or activating an alarm
- Input/output module FDCIO222:
 - Four control outputs with potential-free relay contacts for activation of fire doors, fans, air conditioning systems, lift controls, etc.
 - Four monitored contact inputs for confirming technical statuses or activating an alarm
- Input/output module FDCIO224:
 - Four control outputs with potential-free relay contacts for the VdS interface in order to activate an extinguisher triggering device
 - Four monitorable contact inputs for confirmation (status messages)
- LED indicator for input/output statuses and for fault, test, localization
- Power supply and communication via FDnet/C-NET (addressed individually)
- Address automatically issued during commissioning

Features

- Transparent housing, ensuring that indicators are easy to see
- Protected electronics
- Integrated line separator
- Chronological status monitoring
- Supply via FDnet/C-NET, auxiliary supply only required if the output is configured as monitored (FDCIO222 and FDCIO224)
- Easy mounting using snap fastener
- Microprocessor-controlled signal processing
- Different mounting options
- For dry areas
- Use additional housing FDCH221 for dusty and humid environments

Eco-friendly

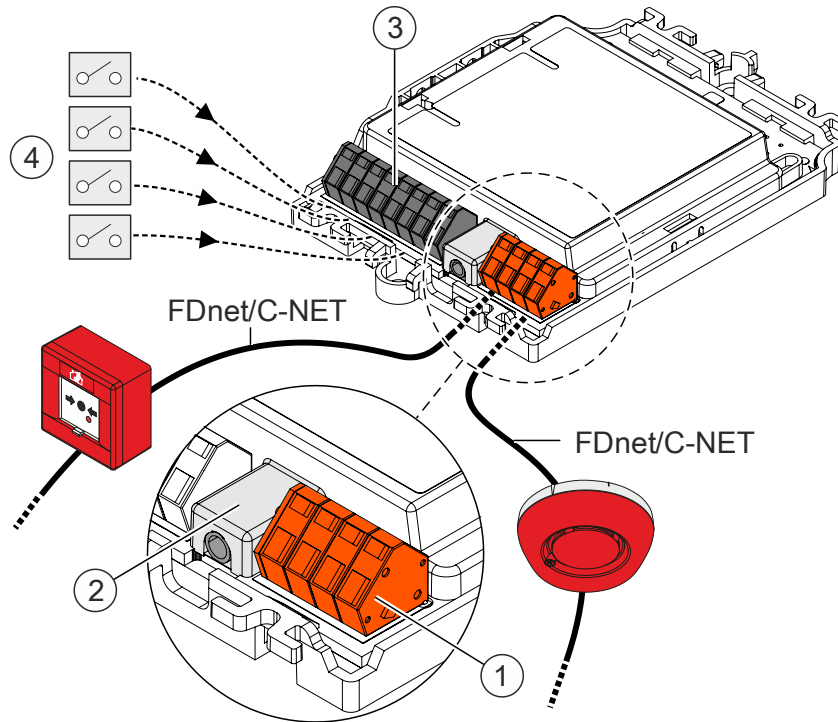
- Environmentally friendly processing
- Reusable materials
- Electronic parts and synthetic materials can be easily separated

FDCI222 input module

- Four inputs for potential-free detector contacts
- Monitoring the input lines for open line and short-circuit with terminating resistors
- Inputs can be configured independently for status or alarm messages using the fire control panel

Fields of application:

To activate four independent, potential-free, normally open or normally closed contacts in order to report technical statuses (e.g., door or fan control) or to activate an alarm (e.g., sprinkler alarm)



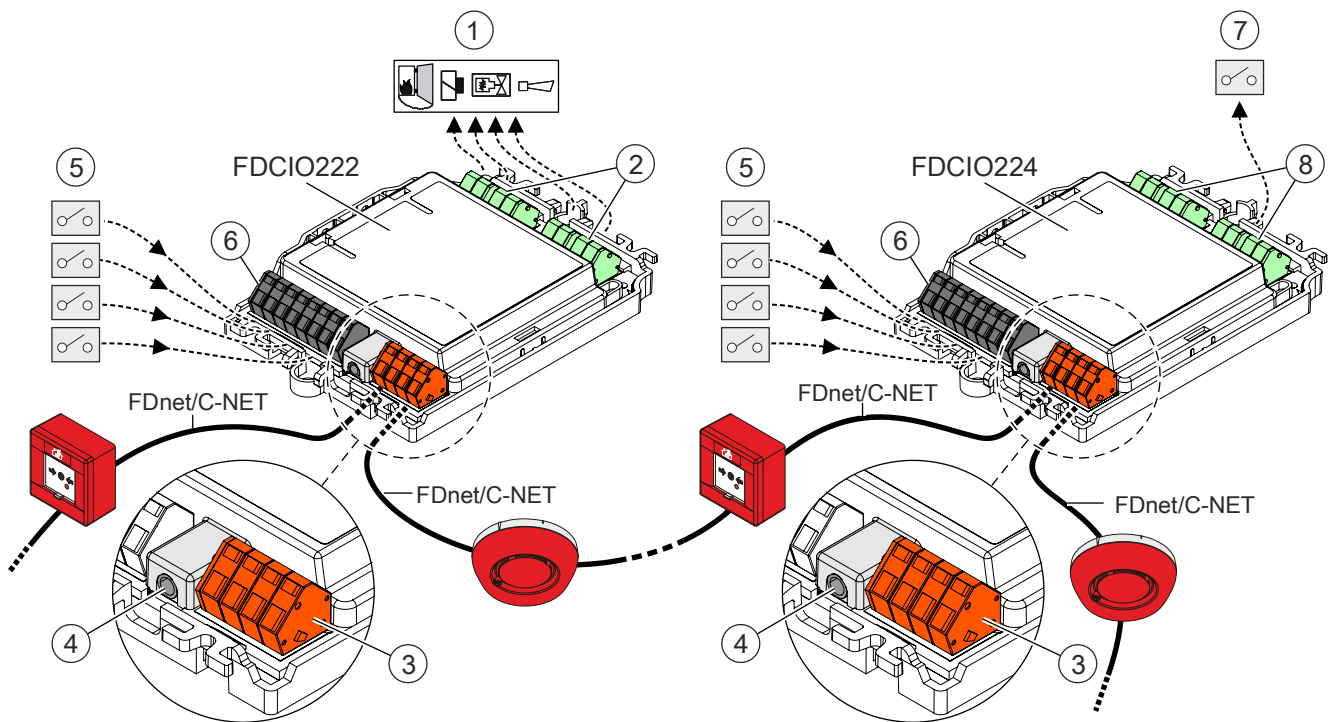
- | | | | |
|---|---|---|----------------------------------|
| 1 | Connections for FDnet/C-NET detector line | 3 | Four contact inputs |
| 2 | 3.5 mm MC link jack socket | 4 | Potential-free detector contacts |

FDCIO222, FDCIO224 input/output modules

- Four inputs for potential-free detector contacts
- Monitoring the input lines for open line and short-circuit with terminating resistors
- Inputs can be configured independently for status or alarm messages using the fire control panel
- Four outputs with potential-free relay contacts (AC 230 V / 4 A) for fire controls (FDCIO222) and for the VdS interface in order to activate an extinguisher triggering device (FDCIO224)

Fields of application:

- FDCIO222: To activate four independent, potential-free, normally open or normally closed contacts in order to report technical statuses (e.g., door or fan control) or to activate an alarm (e.g., sprinkler alarm)
- For decentralized activation of fire doors, fans and air conditioning systems
- FDCIO224: For the VdS interface in order to activate an extinguisher triggering device



- | | |
|---|--|
| 1 Fire controls | 5 Potential-free detector contacts |
| 2 Four relay outputs AC 230 V / 4 A | 6 Four contact inputs |
| 3 Connections for FDnet/C-NET detector line | 7 VdS interface for extinguishing controls |
| 4 3.5 mm MC link jack socket | 8 Four relay outputs AC 230 V / 4 A |

Type Overview

Type	Designation	Order no.	Weight [kg]
FDCI222	Input module incl. 8 resistors, 2 mounting feet	A5Q00001984	0,098
FDCIO222	Input/output module incl. 8 resistors, 2 mounting feet	A5Q00002369	0,127
FDCIO224	Input/output module incl. 8 resistors, 2 mounting feet, for VdS interface	A5Q00018689	0,127

Accessories for input module FDCI222, input/output modules FDCIO222, FDCIO224

Type	Designation	Order no.	Weight [kg]
FDCH221	Housing with cover, seal, and screws	S54312-F3-A1	0,282
–	M20 x 1.5 metal cable gland	A5Q00004478	0,036
–	M20 metal counter nut	A5Q00004479	0,006
DBZ1190-AB	1.0...2.5 mm ² (3-pin) connection terminal	BPZ:4942340001	0,001
TS35 (L = 122 mm)	U-rail TS35/7.5/122	BPZ:5644780001	0.041
TS35 (L = 288 mm)	U-rail TS35/7.5/288	BPZ:5644230001	0.098

Replacement material for input module FDCI222, input/output modules FDCIO222, FDCIO224

Type	Designation	Order no.	Weight [kg]
FDCM291	Mounting foot	A5Q00003855	0,001

Product documentation

Document ID	Name
008164	Equipment overview Sinteso™ Detector system FD20
A6V10225323	Equipment overview Cerberus™ PRO Detector system FD720
008331	List of compatibility (for 'Sinteso™' product line)
A6V10229261	List of compatibility (for 'Cerberus™ PRO' product line)
007023	Technical manual Input module FDCI222, input/output module FDCIO222, FDCIO224
008176	Installation Input/output module FDCIO222, FDCIO224, Housing FDCH221

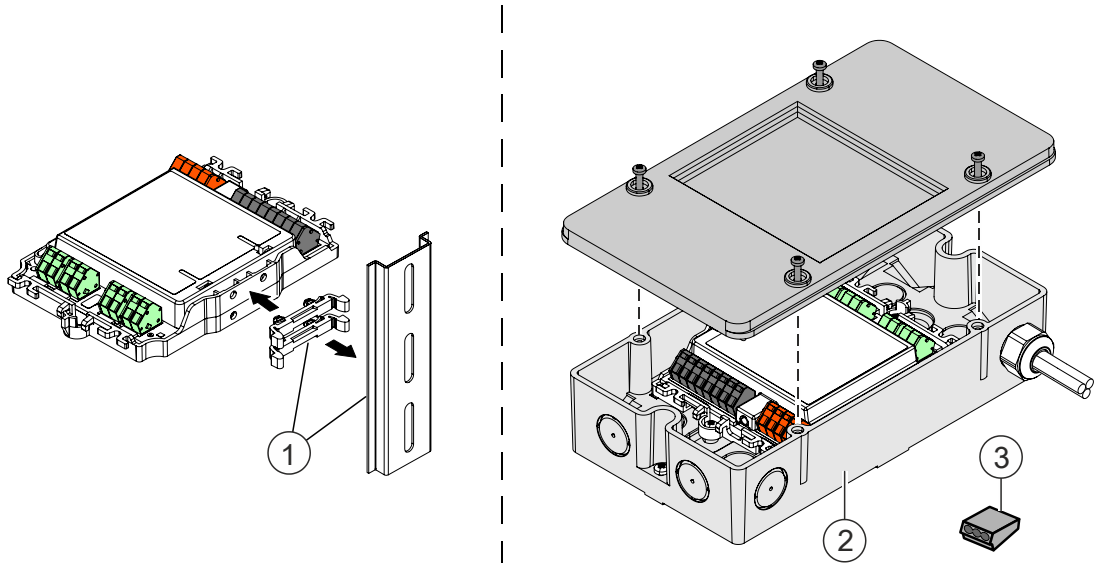
Related documents such as environmental declarations, CE declarations, etc., can be downloaded at the following Internet address:

<http://siemens.com/bt/download>

Mounting

Mounting options

- Mounting (series mounting) in a fire control panel on a U-rail TS35
- In housing FDCH221 (accessory) with cover, seal, and screws



- 1 Series mounting using mounting feet supplied, on U-rail TS35
- 2 Mounting in separate housing FDCH221 (accessory)

- 3 Use auxiliary terminals DBZ1190-AB (accessory) for shielded cables

Disposal





The device is considered an electronics device for disposal in terms of European Directive 2012/19/EU and may not be disposed of as domestic garbage.


- Dispose of the device through channels provided for this purpose.
- Comply with all local and currently applicable laws and regulations.

Technical data

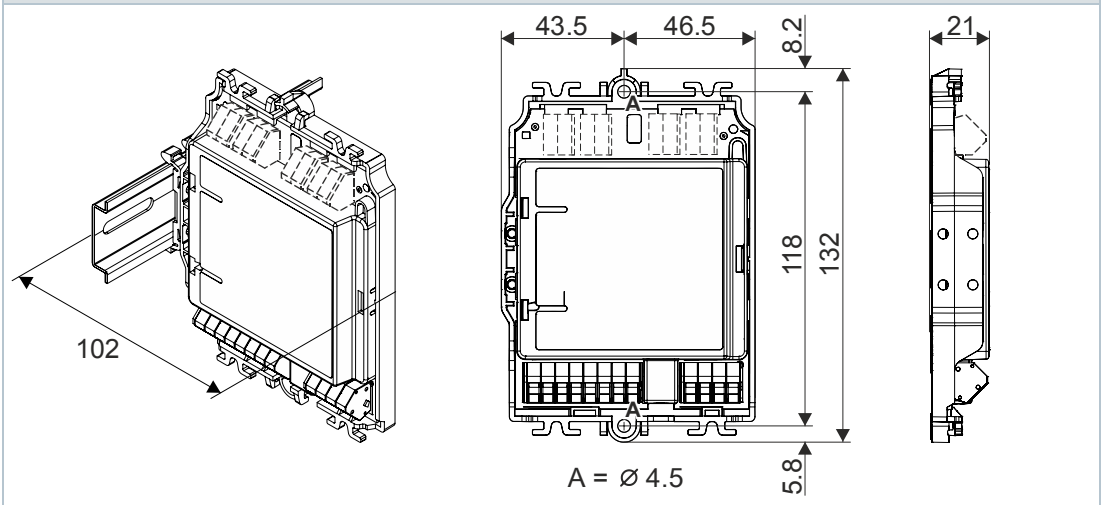
	FDCI222	FDCIO222 / FDCIO224	
Operating voltage	DC 12...33 V		
Operating current (quiescent)	Max. 0.35 mA	Max. 0.75 mA	
Relay output	—	AC 250 V / 4 A, max. 1000 VA DC 30 V / 4 A, max. 120 W	
Operating temperature	-25...+60 °C		
Storage temperature	-30...+65 °C		
Air humidity	≤95 % rel.		
Communication protocol	FDnet/C-NET		
Connections:			
• Pluggable connection terminals	0.2...1.5 mm ² (with 2.5 mm ² connection terminal DBZ1190-AB)		
• MC link	Plug connection 3.5 mm jack socket		
Color			
• Housing	~RAL 9010, pure white		
• Cover	Transparent matt		
• Housing FDCH221	~RAL 9010, pure white		
Protection category (IEC 60529)			
• When mounted on a U-rail in a fire control panel	IP30		
• With housing FDCH221	IP65		
Standards	CEA GEI I-084		
Approvals		FDCIO222	FDCIO24
• VdS	G204028	G204029	G207001
• LPCB	531m/01	531m/02	—
• FM	3029351	3029351	3029351
• DNV GL (Marine)	59 825 - 13 HH	59 825 - 13 HH	59 825 - 13 HH
System compatibility			
• FDnet	FS20, AlgoRex, SIGMASYS		
• C-NET	FS720		

08  0786	FDCI222	Siemens Switzerland Ltd; Gubelstrasse 22 CH-6301 Zug Technical data: see doc. 007023
FDCI222 - Input/output device incl. short-circuit isolator for use in fire detection and fire alarm systems installed in buildings.		
305/2011/EU (CPR): EN 54-18 / EN 54-17 ; 2014/30/EU (EMC): EN 50130-4 / EN 61000-6-3 ; 2011/65/EU (RoHS): EN 50581		
The declared performance and conformity can be seen in the Declaration of Performance (DoP) and the EU Declaration of Conformity (DoC), which is obtainable via the Customer Support Center: Tel. +49 89 9221-8000 or http://siemens.com/bt/download		
DoP No.: 0786-CPR-20446; DoC No.: CED-FDCI222		

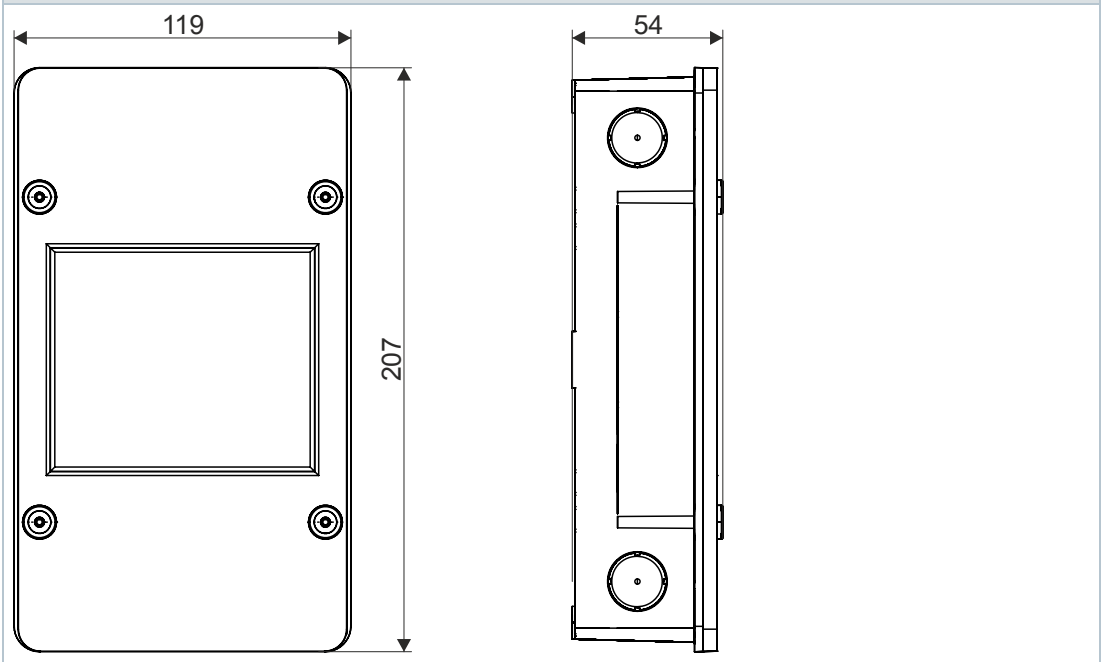
08  0786	FDCIO222	Siemens Switzerland Ltd; Gubelstrasse 22 CH-6301 Zug Technical data: see doc. 007023
FDCIO222 - Input/output device incl. short-circuit isolator for use in fire detection and fire alarm systems installed in buildings.		
305/2011/EU (CPR): EN 54-18 / EN 54-17 ; 2014/30/EU (EMC): EN 50130-4 / EN 61000-6-3 ; 2014/35/EU (LVD): EN 60950-1 ; 2011/65/EU (RoHS): EN 50581		
The declared performance and conformity can be seen in the Declaration of Performance (DoP) and the EU Declaration of Conformity (DoC), which is obtainable via the Customer Support Center: Tel. +49 89 9221-8000 or http://siemens.com/bt/download		
DoP No.: 0786-CPR-20447; DoC No.: CED-FDCIO222		

08  0786	FDCIO224	Siemens Switzerland Ltd; Gubelstrasse 22 CH-6301 Zug Technical data: see doc. 007023
FDCIO224 - Input/output device incl. short-circuit isolator for use in fire detection and fire alarm systems installed in buildings.		
305/2011/EU (CPR): EN 54-18 / EN 54-17 ; 2014/30/EU (EMC): EN 50130-4 / EN 61000-6-3 ; 2014/35/EU (LVD): EN 60950-1 ; 2011/65/EU (RoHS): EN 50581		
The declared performance and conformity can be seen in the Declaration of Performance (DoP) and the EU Declaration of Conformity (DoC), which is obtainable via the Customer Support Center: Tel. +49 89 9221-8000 or http://siemens.com/bt/download		
DoP No.: 0786-CPR-20448; DoC No.: CED-FDCIO224		

Input module FDCI222
Input/output module FDCIO222, FDCIO224



Housing FDCH221



Issued by
Siemens Switzerland Ltd
Building Technologies Division
International Headquarters
Gubelstrasse 22
CH-6301 Zug
Tel. +41 41-724 24 24
www.siemens.com/buildingtechnologies

© Siemens Switzerland Ltd, 2014
Technical specifications and availability subject to change without notice.