



AI91C, AI92C

Synova™

Alarm indicators

For SynoLINE300 detectors



-
- **Additional location aid in the event of fire**
 - **Screw less connecting terminals**
 - **Esthetically pleasing, modern, flat design**

Features

The AI91C and AI92C alarm indicators are visual parallel indications for fire detectors which are used on the conventional SynoLINE300 detector line.

- **Product features**

The AI91C and AI92C alarm indicators are the visual parallel indications for fire detectors used on the SynoLINE300 detector line. They are provided with a dark red luminous element, fitted with LEDs.

- **Triggering of an alarm**

If an alarm is triggered, the alarm indicator connected to the fire detector also illuminates. Up to four detectors can be connected to one alarm indicator. The AI91C alarm indicator is designed for frame mounting and the AI92C for wall mounting.

- **Application**

The alarm indicators are an ideal supplement to fire detectors, where the detectors are mounted in positions which are difficult to reach (e.g. in switching cabinets) or difficult to see (e.g. in hotel rooms) and enable the triggered detector to be quickly located.

Installation

- Frame mounting (AI91C)
- Wall mounting (AI92C)
- Mounting using only 2 screws

Detector connection

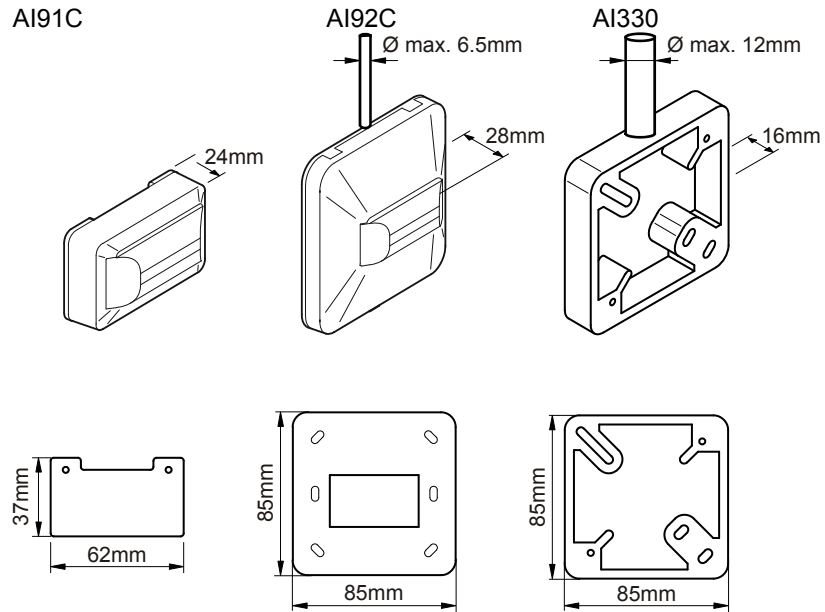
- Plug-in connection
- Decoupled inputs
- Up to 4 detectors can be connected

Options

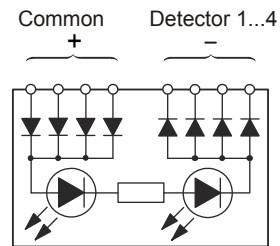
By means of the additional AI330 frame, the AI92C alarm indicator can also be used for the following applications.

- Surface mounting or insertion into ducts
- To increase the loop space
- As an adapter for different sockets

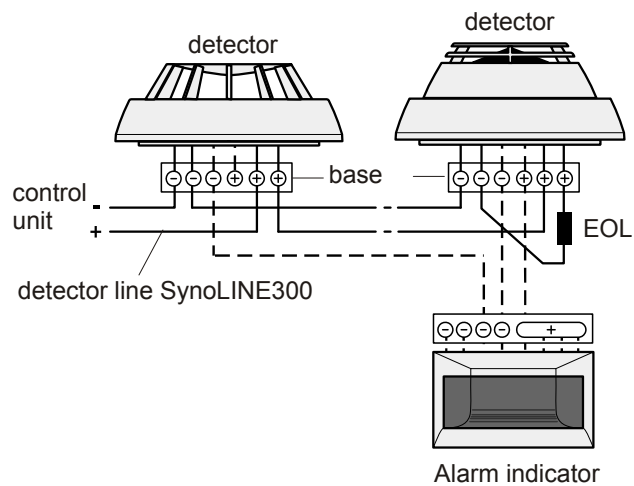
Dimensions



Diagram



Examples for supply network



Technical data

Supply voltage	6... 28 VDC
Power consumption, continuous	max. 35 mA
Terminals	max. 1.5 mm ²
Operating temperature	-25... +80 °C
Humidity	≤95 % rel.
Protection category	IP40
Color	white, ~RAL 9010
Compatibility	Compatible with all fire detectors of the detector line SynoLINE300.
QS standard	Industry-specific, certified quality assurance system in accordance with EN ISO 9001:2000.

Details for ordering

	Type	Part no	Designation	Weight
	AI91C	S54370-F7-A1	Alarm indicator for door frames	0.020 kg
	AI92C	S54370-F8-A1	Alarm indicator for surface-mounting	0.050 kg
Accessories	AI330	BPZ:3169430001	Adapter frame	0.020 kg