



ARS6311-RX

Card reader

Host-controlled mode (ONLINE mode)

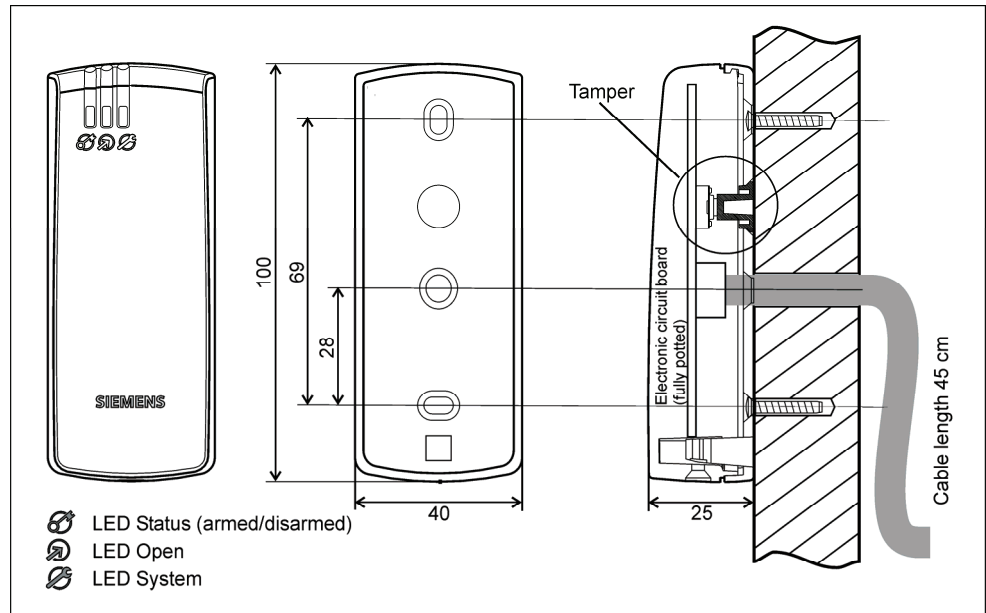
- 26/34/42 bit Wiegand data format interfaces
- Magstripe data format interface (ABA Track II emulation)
- LED/buzzer control input

Stand-alone mode (OFFLINE mode)

- System settings stored in non-volatile memory
- Enrolment of up to 120 users
- User indexing (ID indexed user records)
- Support for Door Contact (DC) and Request-To-Exit (REX) push button
- Door alarm and door bell outputs
- Integration to intrusion alarm system through I/Os
- Entry/exit control (requires two ARS6311-RX to form a pair)
- Built-in signals to ACS6311 I/O board.

The ARS6311-RX is a compact and economical reader designed for use with all SiPass systems. In combination with the AC6311 I/O board, it can also be used in standalone mode.

Dimensions



Technical data

Card reader ARS6311-RX

System compatibility	SiPass Entro Lite, SiPass Entro, SiPass integrated
Interface to controller	Clock&Data and Wiegand (26/34/42 bit)
Operating voltage	10 to 16 VDC
Current consumption	32 mA @ 12V DC
Tamper switch	Yes
Card technology	EM4102 (also known as Miro or UNIQUE 125 KHz), Siemens Prox
Card compatibility	ABR5100-PR ABR5100-BL ABR5100-TG
Card read distance	12 cm (approx.)
Indicators	3 x LED (red/yellow/green) 1 x Buzzer
Keypad	No
Operating temperature	-25 to +60 °C
Environment	Indoor or outdoor use
IP rating	IP65
Housing	ABS plastic
Colour	Silver (RAL9006)
Dimensions (W x H x D)	40 x 100 x 25 mm
Approval	CE
Accessories	SH1 universal rain cover

I/O Board ACS6311

Current consumption	100 mA (both relays activated)
Inputs	2 NO/NC inputs, internal pull-up
Outputs	2 relay outputs, NO/NC dry contact, Form C 1.5 A / 24 VDC/AC rated
Card capacity	120
Operating temperature	-25 to +60 °C
Dimensions (W x H x D)	66 x 89 x 29 mm
Approvals	CE

Details for ordering

Type	Part no.	Designation	Weight
ARS6311-RX	S24246-Z3900-A1	Card reader	0.30 kg
Accessories, not included in the delivery!			
ACS6311	S24246-Z4501-A1	I/O board for ARS6311-RX	0.05 kg

Issued by
Siemens Building Technologies
Fire & Security Products GmbH & Co. oHG
D-76181 Karlsruhe
www.buildingtechnologies.siemens.com

© 2009 Copyright by
Siemens Building Technologies AG
Data and design subject to change without notice.
Supply subject to availability.

Document no. **A24205-A335-B377**
Edition 06.2009