



## AR6111-MX

Access Control

### Card reader

to read ISO14443-A, ISO14443-B and ISO15693 cards

- 
- **13,56 MHz proximity / vicinity reader technology**
  - **Configuration using configuration card**
  - **Can be connected to different access control systems**

The AR6111-MX is an economical card reader that can read the card serial number of a variety of different smart card variants (see details below). The configuration of this reader can be changed with a configuration card.

### AR6111-MX Card Reader (13,56 MHz)



- Transmission frequency 13,56 MHz
- The following card technologies are supported:

#### **ISO14443-A:**

- Mifare 1k und 4k (CSN)
- Mifare Ultra-Light (CSN)
- Mifare DESfire (CSN)
- my-D proximity (CSN)

#### **ISO14443-A+B:**

- my-C (CSN)

#### **ISO14443-B:**

- ASK TanGo GTML2 (CSN)

#### **ISO15693:**

- my-D vicinity (CSN)
- I-Code SLI (CSN)
- Tag-IT HFI (CSN)
- LRI512 (CSN)

Legend:

CSN: card serial number

- Configuration using configuration card
- 50 cm connecting cable
- Up to 7 cm read range, depending on mounting environment card technology and type
- Flash-Memory for Firmware updates
- Two LED's for status display and buzzer for audible signals
- Reader power from the power supply of the door controller
- "Touch and Go" operation

## Reader interfaces and protocols

---

The card reader AR6111-MX offers a Clock/Data interface with two emulation modes.

Interface	Protocol
Clock/Data	Magstripe Track II
	Wiegand emulation

In addition some digital inputs are available for operation

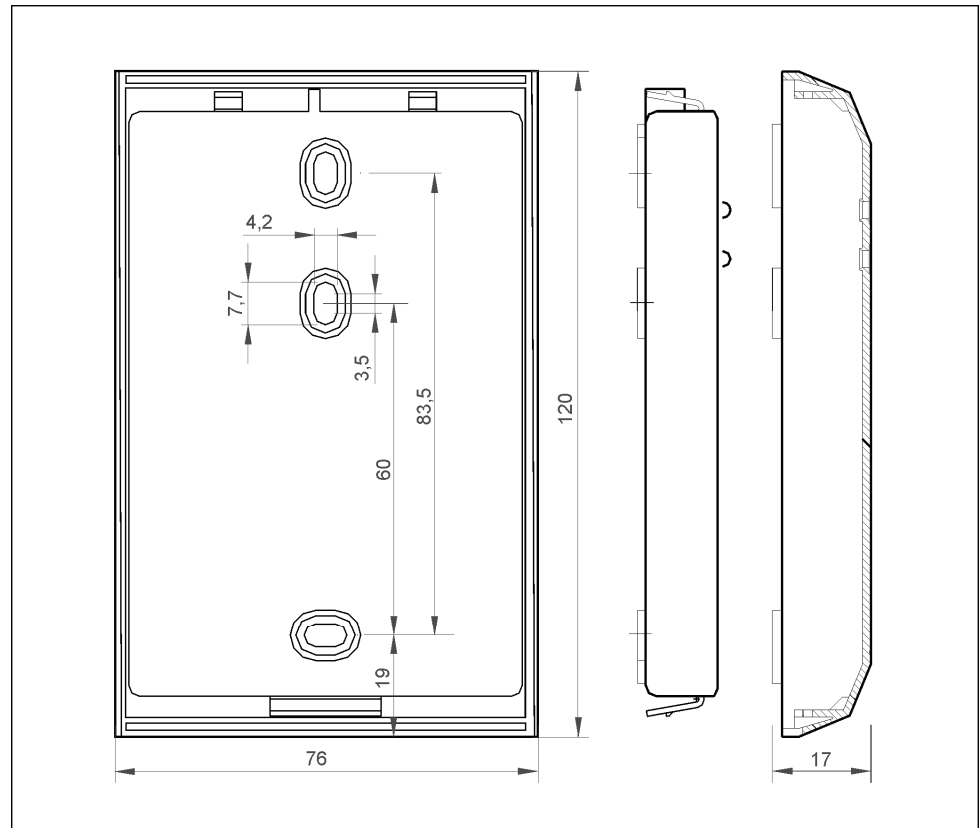
- LED green
- LED red
- Beeper
- Hold

## Installation

---

Recommended for wall installation on even surface. Can also be installed in standard recess boxes DIN 49073, or American wall switch boxes. For installation and connection please follow the instructions of the installation manual.

Dimensions (in mm)



**Please do not use as drilling template!**

## Technical data

---

<b>AR6111-MX</b>	
System compatibility	SiPass Entro Lite, SiPass Entro, SiPass integrated
Interface to controller	Clock&Data or Wiegand
Operating voltage	9 to 15 VDC
Current consumption	80 mA @ 12 VDC
Tamper switch	No
Card technology	Mifare Classic 1k & 4k, Mifare UltraLight, my-D proximity, my-C, my-D vicinity, I-Code SLI, Tag-IT HFI, STM LRI512 (all CSN)
Card compatibility	ABP5100-PR ABP5100-BL
Card read distance	Up to 7 cm
Indicators	2 x LED (red/yellow/green) 1 x Buzzer
Keypad	No
Operating temperature	-25 to +60° C
Environment	Indoor or outdoor use
IP rating	IP65
Housing	Synthetic ABS/PBT
Colour	Silver (RAL9006)
Dimensions (W x H x D)	76 x 120 x 17 mm
Approval	CE, FCC, UL
Accessories	SH1 universal rain cover

## Details for ordering

---

Type	Part no	Designation	Weight
AR6111-MX	6FL7170-8DK	Card reader	0.20 kg

Issued by  
Siemens Building Technologies  
Fire & Security Products GmbH & Co. oHG  
D-76181 Karlsruhe  
[www.buildingtechnologies.siemens.com](http://www.buildingtechnologies.siemens.com)

© 2009 Copyright by  
Siemens Building Technologies  
Fire & Security Products GmbH & Co. oHG  
Data and design subject to change without notice.  
Supply subject to availability.

---

Document no. **A24205-A335-B266**  
Edition 06.2009