



External Passive Infrared Detector IS392 & IS392H



- 50m (60m IS392H) medium range curtain
- ATD adaptive threshold discrimination for low nuisance alarm rate
- Comprehensive protection concept against all extraneous influences
- True temperature compensation and heating (IS392H)
- Continuous function surveillance
- Detection of intruders at crawling, walking and running speeds

Description

■ Versatile in application

This medium-range detector feature narrow curtain coverage and are the ideal choice for monitoring any perimeter section that is too short for long-range curtains. The detector incorporates the feature the lowest possible nuisance alarm rate in either configuration compared to standard curtains. The IS392H is suitable for the harshest of outdoor environments. The integral mounting bracket allows for alignment of the detector in any position. The internal switches allow for a quick and simple setup, while the configuration software allows for more complex configurations. This version of an external passive infrared detectors, incorporate a pyroelectric differential, dual channel optics, which allows for left to right or right to left detection through the detctors' curtain. This feature can assist with reducing unwanted alarm signals by up to 60%. A selection of installation and commissioning accessories are available to assist with the final configuration and ongoing maintenance of the detector.

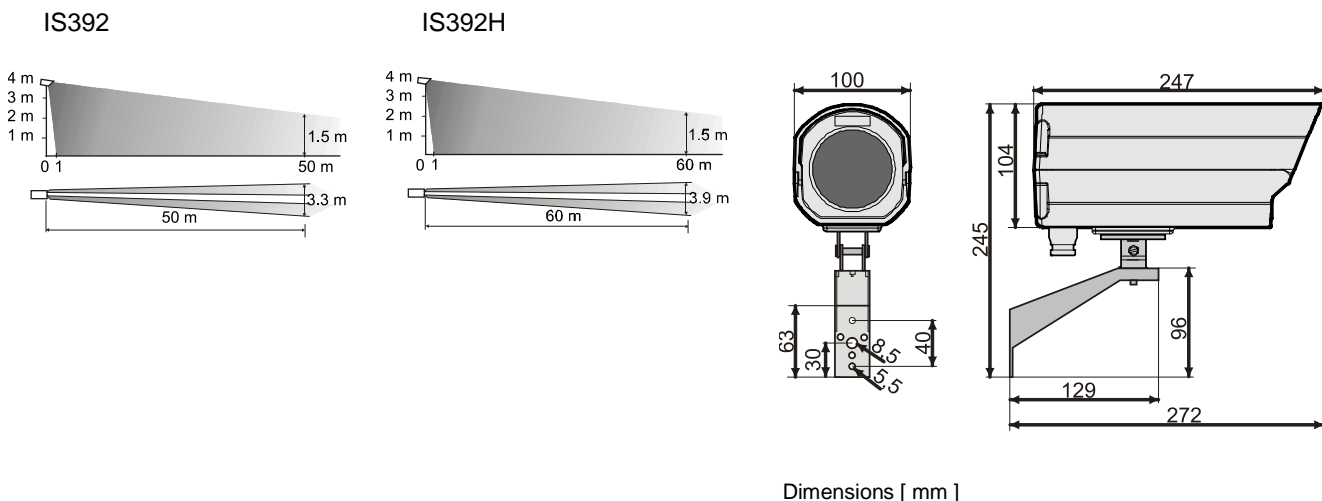
■ Effective

Both types of detectors can be used in standalone manned intrusion systems or as part of a sophisticated video surveillance system. Applications include fenced or restricetd areas like army camps, detention centre, government facilities, industrial sites and private premises.

■ Highly professional

Uniform high sensitivity is achieved through the special focused mirror optics and the micro-processor-controlled signal analysis. Adaptive alarm threshold decoding for feedback of ambient conditions and true temperature compensation ensure reliable detection. This comprehensive protection concept gives the dtector outstanding immunity against environmental infulences such as temperature fluctuations, rain , snow, electromagnetic fileds and dazzling lights.

■ Coverage areas and dimensions

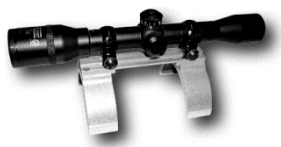


■ Technical Specifications

| | IS392 | IS392H |
|---|---|------------------------------|
| Detection characteristics / Range | Curtain 50 (d) x 3.3 m (w) | Curtain 60 m (d) x 3.9 m (w) |
| Optics | Pyroelectric, differential single channel | |
| ATD Adaptive threshold discrimination | Activated / deactivated | |
| Supply voltage, auto sensing | 10.5...30 V DC / 24 V +/-15% AC | |
| Power consumption (at DC 12 V), quiescent | 18 mA | |
| Heating | N/A max. 2 W at - 40 °C | |
| Detection speed | 0.2...5 s | |
| Alarm hold time | 2...3 s | |
| Alarm Indication internal | Red LED | |
| Transistor output | Open collector NPN, 30 V DC, max. 50 mA | |
| Tamper output (cover switch & alignment) | 30 V DC / 100 mA | |
| Control input: Walk test; Unset/Set | LOW ≤ 1.5 V DC / HIGH ≥ 3.5 V DC | |
| Mounting height | 2.5...4.0 m | |
| Mounting | Wall mounting bracket included, pole bracket optional | |
| Cable Access | 2 x 4...7 mm cable glands | |
| Cable termination | Screw terminals via plug-in connector | |
| Sensitivity adjustment (as % of standard) | | |
| - via DIL switches | 40 / 70 / 100% | |
| - via software | 20...140% | |
| Operating temperature | -20...+60°C | - 40...+ 60 °C |
| Storage temperature | -20...+60°C | - 20...+ 60 °C |
| Air humidity | < 95 % RH, non-condensing | |
| Housing protection (EN 60529) | IP64 | IP65 |
| Anti Vandal Function | Activated / deactivated | |

Options

| | | |
|----------|------------------|----------------------------------|
| ISIF485B | A5Q00026219 | Installation module and software |
| ISWT-PRO | S54533-Z112-A100 | Cordless installation tester |
| ISMD41-3 | A5Q00026220 | Pole mount hardware |
| ISTC41 | BPZ:4455260001 | Telescope |



ISTC41



ISWT-PRO



ISIF485B

Ordering Information

| Type | Art.-No. | Description | Weight |
|----------|------------------|--|--------|
| IS392 | BPZ:5398300001 | External passive infrared curtain | 900 g |
| IS392H | A5Q00005095 | External passive infrared curtain, with heater | 900 g |
| ISIF485B | A5Q00026219 | Installation software & module | 400 g |
| ISWT-PRO | S54533-Z112-A100 | Cordless installation tester | 175 g |
| ISMD41-3 | A5Q00026220 | Pole mount adapter hardware | 160 g |
| ISCT41 | BPZ:4455260001 | Telescope | 320 g |

The information in this document includes general descriptions of the technical possibilities, which need not be installed in each individual case. The desired performance characteristics must therefore be specified for the individual case when the contract is concluded.

© Siemens Building Technologies • Edition: 29.09.2014