

## DM1101, DM1103, DM1104

AlgoRex

### Manual call point

Collective

- 
- Manual call point to all fire detection system control units with collective detector evaluation
  - Manual call point DM1101 with direct operation
  - Manual call point DM1103 with indirect operation and DM1104 with direct operation
  - Two-wire installation

## Characteristics

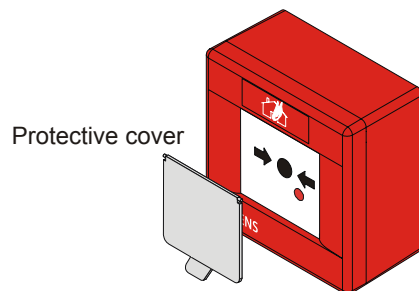
---

- **Environmental**
  - Ecologically processing
  - Recyclable materials
  - Electronic and synthetic material simple separable
- **Characteristics**
  - Protected electronic
  - Response indicator (LED) built-in

## Manual call point DM1101

---

A protective cover FDMC291 (accessory) protects the manual call point from unintentional glass break.



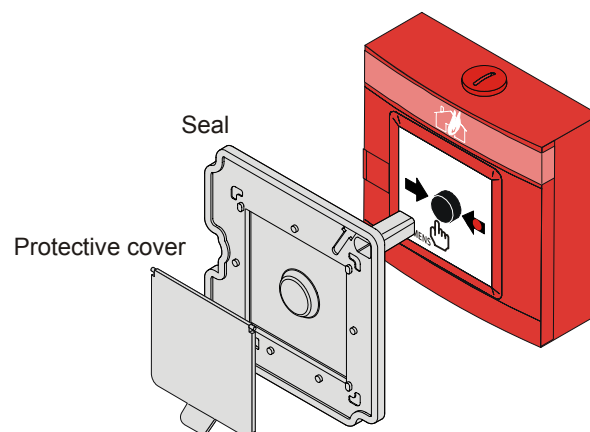
- **Function**
  - Direct alarm actuation by pushing in the glass plate
  - By replacing the glass plate the push button is set back and the device is ready for operation again.
- **Application**
  - For the immediate manual actuation of a fire alarm or an extinguishing process
  - For indoor and outdoor application
  - For surface- and recess-mounted feed lines in easily accessible places

## Manual call point DM1103 / DM1104

---

A protective cover DMZ1197-AC (accessory) protects the manual call point from unintentional glass break.

A seal DMZ1197-AD (accessory) protects the manual call point in wet applications.



- **Function DM1103**
  - Indirect alarm actuation by smashing in the glass plate and pressing the push button
  - To replace the glass plate, open the housing door with the key. The push button must be set back before closing the door again.

- **Function DM1104**

- Direct alarm actuation by smashing in the glass plate
- To replace the glass plate, open the housing door with the key, upon closing the door the button is reset

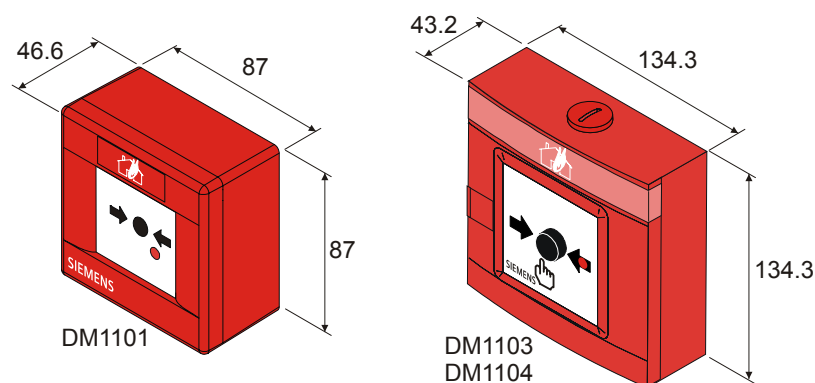
- **Application**

- For the immediate manual actuation of a fire alarm or an extinguishing process
- For indoor and outdoor application, equally suited for wet, humid and dusty areas
- For surface- and recess-mounted feed lines in easily accessible places

## Installation

- For recess mounted feed lines, break out the break-out point in the housing bottom
- For surface-mounted feed lines to the DM1101, a hole must be drilled into the top or bottom of the detector housing (marking), use at max. cable gland M20
- For surface-mounted feed lines to the DM1103 / DM1104 the housing is equipped with opening at the top and bottom, with sealing studs for M20 cable glands or locking plug

## Dimensions



## Technical data

	DM1101	DM1103 / DM1104
Operating voltage	16... 26 VDC	16... 26 VDC
Max. current, permanent	60 mA	60 mA
Max. pulsed current	100 mA	100 mA
Terminal block	0.28... 1.5 mm <sup>2</sup>	0.28... 1.5 mm <sup>2</sup>
Operating temperature	–25... +70 °C	–25... +70 °C
Storage temperature	–30... +75 °C	–30... +75 °C
Humidity	≤ 95 % rel.	≤ 100 % rel. / 35 g/m <sup>3</sup> abs.
Connection factor	KMK 1	KMK 1
Color	red (RAL3000) blue (RAL5005) yellow (RAL1023) green (RAL6024)	red (RAL3000) blue (RAL5005) yellow (RAL1023) green (RAL6024)
Protection category IEC60529	IP44	IP54
– with seal DMZ1197-AD	–	IP66
Standards	EN 54-11, BS5839-2	EN 54-11
Approvals	DM1101	DM1103
– LPCB	126W/02	–
– VdS	–	G295036
System compatibility	Compatible to all fire detection system control units with collective detector evaluation	

## Details for ordering

	Type	Part no	Designation	Weight
DM1101	FDMH291-R	A5Q00002217	Housing red, with key	0.089 kg
	FDMH291-Y	A5Q00004979	Housing yellow, with key	0.089 kg
	FDMH291-B	A5Q00004980	Housing blue, with key	0.089 kg
	FDMH291-G	A5Q00004981	Housing green, with key	0.089 kg
	DMA1101	A5Q00005578	Switching unit	0.045 kg
Accessories	FDMC291	A5Q00001644	Protective cover	0.010 kg
	–	A5Q00004478	Metal screwed cable gland M20	0.039 kg
	–	A5Q00004479	Back nut M20	0.006 kg
Spare parts	FDMG291	A5Q00002122	Glass	0.006 kg
	FDMK291	A5Q00001643	Key with cover	0.030 kg
DM1103 / DM1104	DM1103	5590140001	Manual call point complete, red	0.323 kg
	DMA1192-AA	5222870001	Housing red, with glass and key	0.256 kg
	DMA1192-AB	5464250001	Housing blue, with glass and key	0.256 kg
	DMA1192-AC	5464120001	Housing yellow, with glass and key	0.256 kg
	DMA1192-AD	5090190001	Housing green, with glass and key	0.256 kg
	DMA1103D	A5Q00004470	Switching unit to DM1103	0.067 kg
	DMA1104D	A5Q00005925	Switching unit to DM1104	0.070 kg
Accessories	DMZ1197-AC	5223550001	Protective cover	0.012 kg
	DMZ1197-AD	5470680001	Seal for wet areas	0.023 kg
	–	A5Q00004478	Metal screwed cable gland M20	0.039 kg
	–	A5Q00006735	Locking plug M20, red	0.007 kg
	–	5358470001	Sticker 'avoid electrostatic charging'	0.003 kg
	–	5304150001	Plate (fire brigade / fire detector)	0.007 kg
Spare parts	DMZ1196-AC	4942050001	Glass	0.016 kg
	DMZ1195	4851910001	Key	0.003 kg